

## RECARO PROFI SPG / SPA / XL

FIA approved and ready for racing



The RECARO Profi racing shell offers safety and comfort features a professional level driver needs. The Profi is FIA approved as are all RECARO racing shells sold in North America. The pronounced thigh and backrest bolsters plus the strategically placed friction grip surfaces will keep the driver in place, in control and reduce fatigue. The high quality materials including the cover and foam are designed to last. Finally, no other racing shell feels like a real RECARO. The proprietary ergonomically formed seat with its sweeping S shaped backrest delivers on safety and comfort.

# RECARO Profi SPG

- FIA Certified and Crash Tested
- RECARO Ergonomic S Shaped Backrest
- Fiberglass Shell - 14.5 LBS
- Lumbar cushions
- Suitable for 4-, 5- or 6-point belts
- Shock-absorbing foam
- Flame-retardant upholstery
- Friction grip surface around the shoulders
- Screw-mounted panels on the belt slots
- High Quality Cover



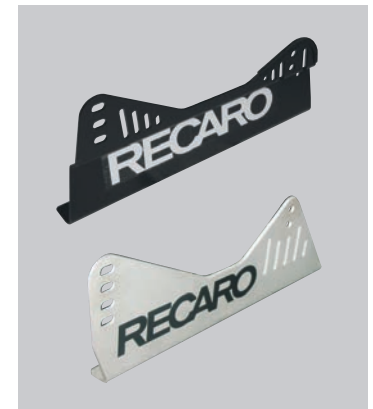
## OPTIONS AND ACCESSORIES

### Available Options:

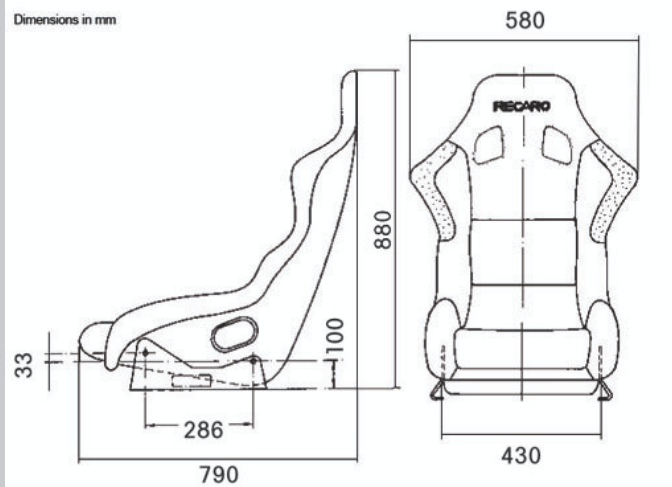
- Profi SPA: Carbon Kevlar shell / 12 lbs / Not Shown
- Pro SPG XL: Fiberglass shell / 22 lbs

### Available Accessories (sold separately)

- Replaceable Seat and Backrest Cushions
- Universal Steel or Aluminum Side Mounts
- Harness Pads

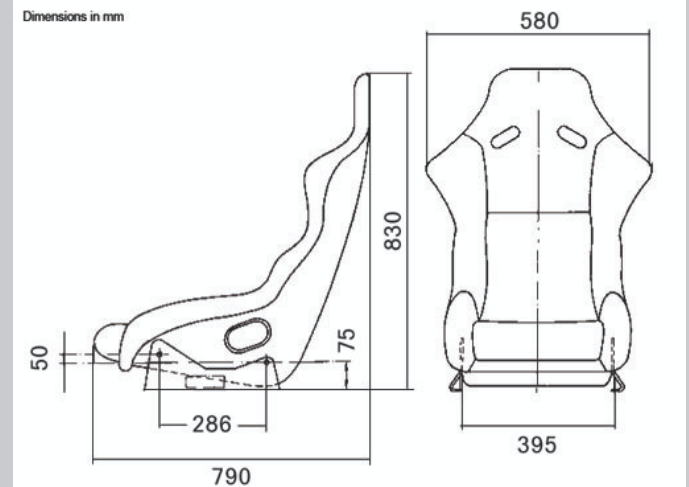


Profi SPG / SPA



SPA

Profi SPG XL



SPG XL